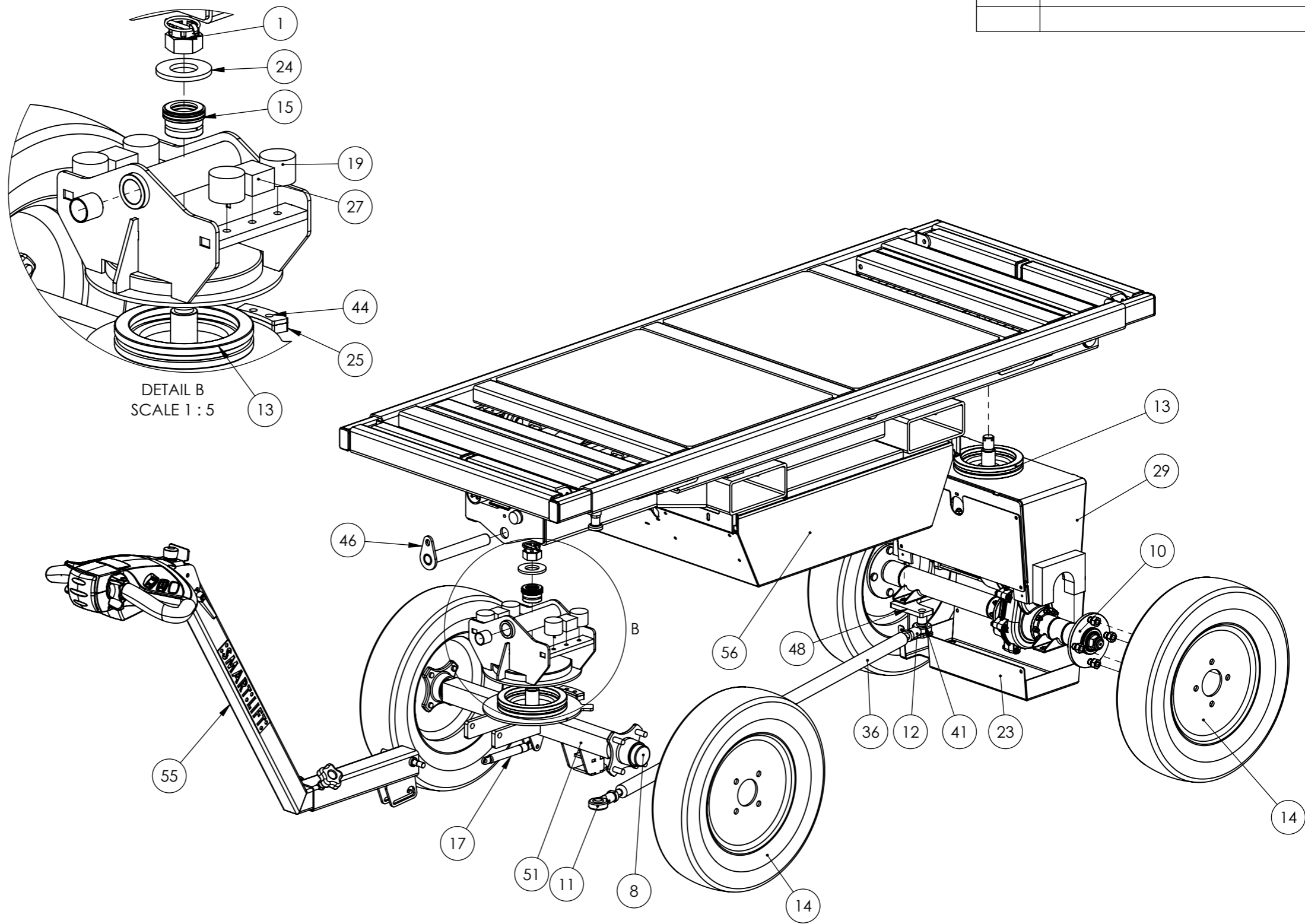
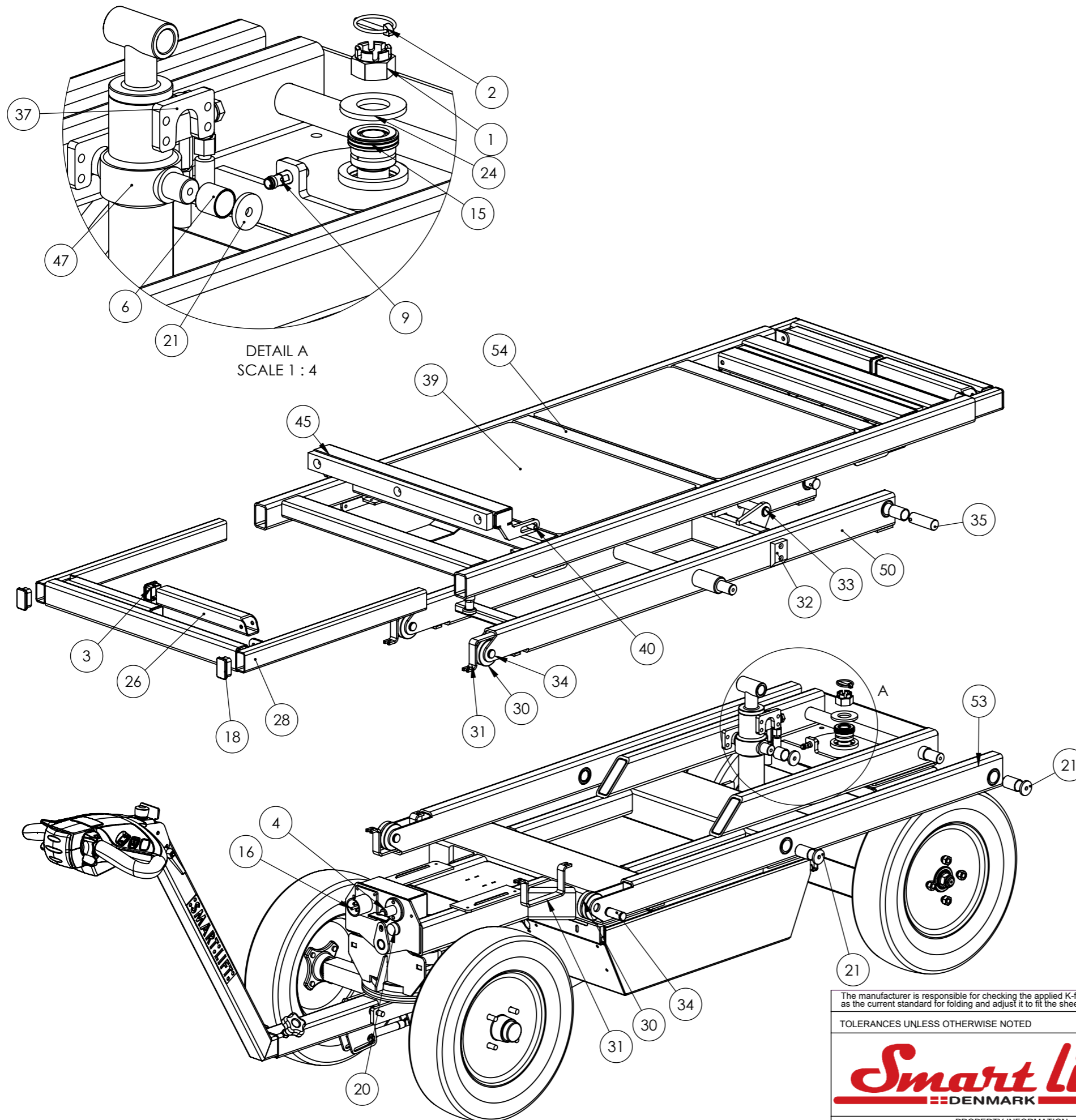


REV.	NOTE



ITEM NO.	PART NUMBER	DESCRIPTION	QTY.
1	010155	Castle nut M24	2
2	010182	locking pin	2
3	010191	Profile plug 40x40x2-4	4
4	010259	Main switch	1
5	010390	Plain bearing NB1 2540	6
6	010858	Plain bearing NB1 2525	4
7	011036	M16 Indexing plunger	2
8	011482	Wheel hub assembly	2
9	011659	Inductive sensor M12 SR=4mm PNP	1
10	011785	Drive train w. 1200W A/C motor - 20Nm brake	1
11	011800	Flexible joint M16x1,5	1
12	011801	Flexible joint M16x1,5 links	1
13	011806	Pressure bearing	2
14	011807	Complete wheel	4
15	011809	Needle bearing	2
16	011814	CEE plug - male	1
17	011819	Gas Spring	1
18	011825	Profile plug 50x30x2,5-3	4
19	011842	Rubber plug	4
20	011904	Indication light 230V	1
21	1310100301	Skive ved kip	6
22	1710000002	Cover 1 for drive train	1
23	1710000005	Cover 2 for drive train	1
24	1710000006	Washer for crown nut	2
25	1710000012	Stop block for rotation	1
26	1710000016	Horn	4
27	1710000026	Stop block for tilt	2
28	1710000040	Table extension	2
29	1710100300	Rear pivot	1
30	2210100001	Roll	4
31	2210100002	Clamp for rolls	4
32	2210100004	Guide for scissor	2
33	2210100005	Pin for cylinder	1
34	2210100006	Pin for rolls	4
35	2210100007	Pin for table fixture	2
36	2210100008	Connection link	1
37	2210100009	Plate for fixing cylinder	2
38	2210100010	Cover for main switch and charging plug	1
39	2210100011	Wooden tabel top plates	2
40	2210100013	Spacer for joist	4
41	2210100014	Distance piece for link	1
42	2210100015	Distance piece for gas spring	2
43	2210100016	Stop plate for scissor	4
44	2210100017	Distance piece for stop block	1
45	2210100030	Joist	2
46	2210100065	Pin tilting link	1
47	2210100080	Cylinder assembly	1
48	2210100090	Mount for cross bar - rear	1
49	2210100100	Chassis weldment	1
50	2210100200	Middle scissor	1
51	2210100400	Front wheel suspension	1
52	2210100500	Tilting link	1
53	2210100600	Outer scissor leg	2
54	2210100700	Table	1
55	2210100800	Complete handle	1
56	2210100900	Battery box assembly	1

The manufacturer is responsible for checking the applied K-factors as well as the current standard for folding and adjust it to fit the sheet forming machinery.		Weight: 447.42 kg	PROJECTION OF VIEWS  Sheet 2 of 3
TOLERANCES UNLESS OTHERWISE NOTED		Material : ,	Refer to drawing :
		Description: Complete SmartTrolley 1300	Coating :
		Material handling: - - -	NOTES :
PROPERTY INFORMATION		TITLE :	DWN. BY : MR
This drawing, its design detail, dimension, tolerances and disclosure are the confidential information and exclusive property of SmartLift, and shall not be traced, reproduced or copied in any manner nor disclosed to any outside party without the prior written consent of SmartLift, all rights reserved.			DATE : 01-01-2019
			LAST UPDT. : 08-04-2019
			REV. DATE : 08-04-2019
			SCALE : 1:10
			DRAWING NUMBER : 2210100000



		REV.	NOTE
ITEM NO.	PART NUMBER	DESCRIPTION	QTY.
1	010155	Castle nut M24	2
2	010182	locking pin	2
3	010191	Profile plug 40x40x2-4	4
4	010259	Main switch	1
5	010390	Plain bearing NB1 2540	6
6	010858	Plain bearing NB1 2525	4
7	011036	M16 Indexing plunger	2
8	011482	Wheel hub assembly	2
9	011659	Inductive sensor M12 SR=4mm PNP	1
10	011785	Drive train w. 1200W A/C motor - 20Nm brake	1
11	011800	Flexible joint M16x1,5	1
12	011801	Flexible joint M16x1,5 links	1
13	011806	Pressure bearing	2
14	011807	Complete wheel	4
15	011809	Needle bearing	2
16	011814	CEE plug - male	1
17	011819	Gas Spring	1
18	011825	Profile plug 50x30x2,5-3	4
19	011842	Rubber plug	4
20	011904	Indication light 230V	1
21	1310100301	Skive ved kip	6
22	1710000002	Cover 1 for drive train	1
23	1710000005	Cover 2 for drive train	1
24	1710000006	Washer for crown nut	2
25	1710000012	Stop block for rotation	1
26	1710000016	Horn	4
27	1710000026	Stop block for tilt	2
28	1710000040	Table extension	2
29	1710100300	Rear pivot	1
30	2210100001	Roll	4
31	2210100002	Clamp for rolls	4
32	2210100004	Guide for scissor	2
33	2210100005	Pin for cylinder	1
34	2210100006	Pin for rolls	4
35	2210100007	Pin for table fixture	2
36	2210100008	Connection link	1
37	2210100009	Plate for fixing cylinder	2
38	2210100010	Cover for main switch and charging plug	1
39	2210100011	Wooden tabel top plates	2
40	2210100013	Spacer for joist	4
41	2210100014	Distance piece for link	1
42	2210100015	Distance piece for gas spring	2
43	2210100016	Stop plate for scissor	4
44	2210100017	Distance piece for stop block	1
45	2210100030	Joist	2
46	2210100065	Pin tilting link	1
47	2210100080	Cylinder assembly	1
48	2210100090	Mount for cross bar - rear	1
49	2210100100	Chassis weldment	1
50	2210100200	Middle scissor	1
51	2210100400	Front wheel suspension	1
52	2210100500	Tilting link	1
53	2210100600	Outer scissor leg	2
54	2210100700	Table	1
55	2210100800	Complete handle	1
56	2210100900	Battery box assembly	1

The manufacturer is responsible for checking the applied K-factors as well as the current standard for folding and adjust it to fit the sheet forming machinery.

Weight: 447.42 kg      PROJECTION OF VIEWS: Sheet3of 3

TOLERANCES UNLESS OTHERWISE NOTED      Material: ,      Refer to drawing :

**Smart Lift**  
DENMARK

Description: Complete SmartTrolley 1300      Coating :  
NOTES :

Material handling: - - -

TITLE :      DWN. BY : MR      DATE : 01-01-2019      LAST UPDT: 08-04-2019  
REV.:      REV. DATE :      SCALE : 1:10

PROPERTY INFORMATION

This drawing, its design detail, dimension, tolerances and disclosure are the confidential information and exclusive property of SmartLift, and shall not be traced, reproduced or copied in any manner nor disclosed to any outside party without the prior written consent of SmartLift, all rights reserved.

DRAWING NUMBER : 2210100000